



WATER METER · HOT WATER METER



**DONGHO**  **COSMO**

# Water meter



Water meter



Digital Water meter



Digital Water meter  
(1Pulse/10L)

## Characteristic

1. Dissolution (Analysis of Properties) Eco-friendly products satisfying the test results / Harmless to human body
  2. Static magnetic field test is not affected by external magnetic force
- \*Usage - Remote access to apartment, residential complex, officetel, shopping center, etc.

## Standard

Standard(mm)		15mm	20mm	25mm
Q1	±5%	0.02 m³/h	0.031 m³/h	0.04 m³/h
Q2		0.032 m³/h	0.05 m³/h	0.064 m³/h
Q3	±2%	1.6 m³/h	2.5 m³/h	4.0 m³/h
Q4		2.0 m³/h	3.125 m³/h	5.0 m³/h

# Hot Water meter



Hot Water meter



Digital Hot Water meter



Remote Hot Water meter  
(1Pulse/10L)

## Characteristic

Static magnetic field test is not affected by external magnetic force

\*Usage - Remote access to apartment, residential complex, officetel, shopping center, etc.

## Standard

Standard(mm)		15mm	20mm	25mm
Qmin	±5%	0.04 m <sup>3</sup> /h	0.062 m <sup>3</sup> /h	0.1 m <sup>3</sup> /h
Qt		0.252 m <sup>3</sup> /h	0.394m <sup>3</sup> /h	0.63 m <sup>3</sup> /h
Qn	±2%	1.5 m <sup>3</sup> /h	2.0 m <sup>3</sup> /h	2.5 m <sup>3</sup> /h
Qmax		3.0 m <sup>3</sup> /h	4.0 m <sup>3</sup> /h	5.0 m <sup>3</sup> /h

## Specification

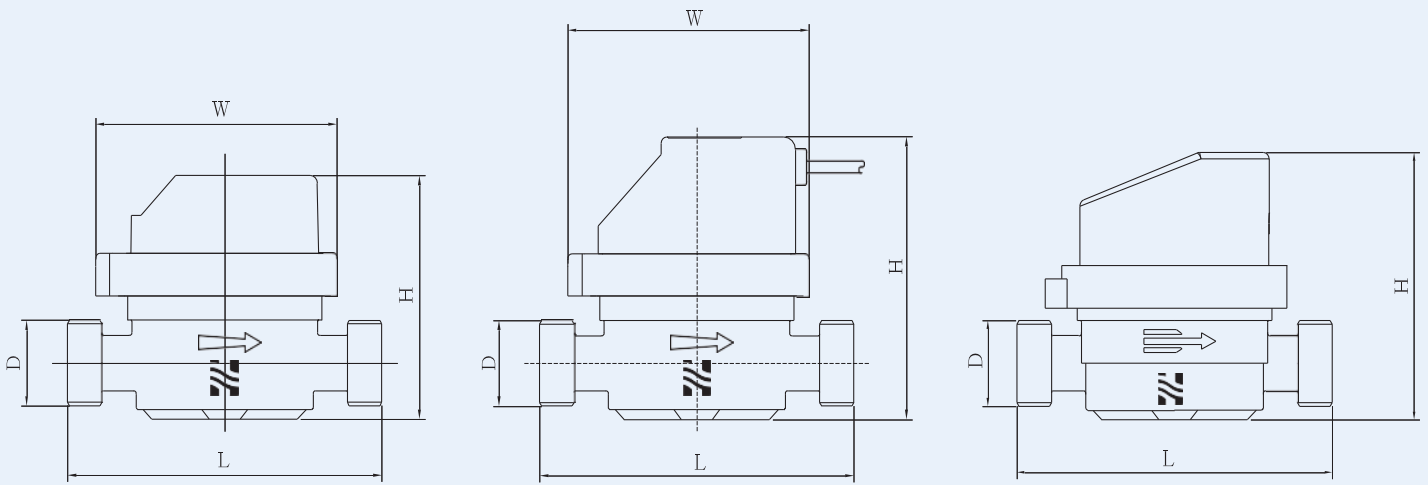
Standard(mm)		15mm	20mm	25mm
Type		tangential impeller-type		
Range of display		99999.9999		
Pressure(Max)		1MPa (10bar)		
Installation		Horizontality (H)		
Telecommunication connect		White(+), Black(-)		
Power usage(Digital)		DC 3.6V (Lithium Battery)		
Comunication	Remote	1 pulse / 10L		
	Digital	DC -PLC, UART, M-BUS		
Temperature	Water meter	0℃~30℃		
	Hot water meter	0℃~90℃		

## Type approval(Dry Single-jet)

Standard(mm)	Dimension	Type approval
Remote water meter	15mm	KTC-I-16-84
	20mm	KTC-I-16-83
	25mm	KTC-I-08-13
Digital water meter	15mm	KTC-I-15-18
	20mm	KTC-I-16-85
	25mm	KTC-I-16-20

Standard(mm)	Dimension	Type approval
Remote water meter	15mm	J-05-08
	20mm	
	25mm	
Digital water meter	15mm	J-06-12
	20mm	
	25mm	

## Outside view



Cold & hot Water meter

Remote  
Cold & hot Water meter

Digital  
Cold & hot Water meter

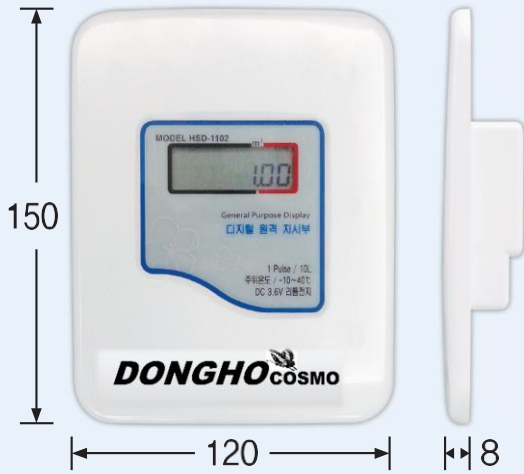
## Dimension

Dimension(mm)		15mm	20mm	25mm
Length (L)		110	130	130
Width (W)		78	78	78
Screw nominal		PF 3/4"	PF 1"	PF 1 1/4"
Height (H)	Normal type	68	68	68
	Remote type	93	93	93
	Digital type	82	82	82

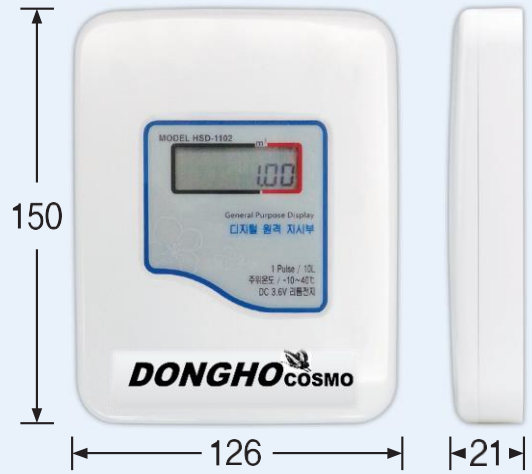


# Display

Embedded type



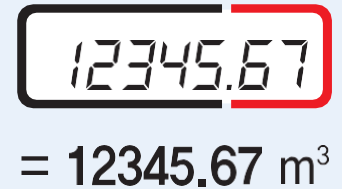
Non-embedded type



- Initial value of flow unit and indication unit can be integrated
- 1 Counter / 10 Pulse can be produced (on demand)
- Save and restore final data when battery on / off

Power resouece	DC 3.6V
Temperature	-20°C~50°C
Input signal	Reed switch(Nonpolar) Static Relay(Nonpolar)
Display Unit	99999.99
Box	102 x 102 x 54

**How to read indicator**



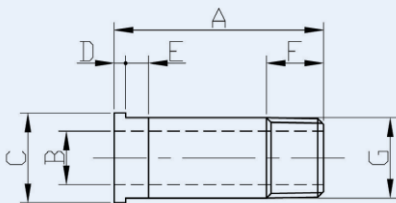
## Union pipe / nut



Length of union-pipe

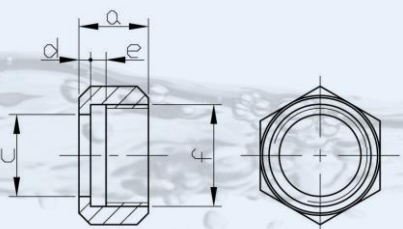
15mm	25, 35, 55, 82
20mm	30, 40, 45, 60, 100
25mm	45, 55, 65, 75, 125
32mm	67
40mm	75
50mm	80

PIPE



mm	a	b	c	d	e	f	g	"
	55	13	23.3	3	6	22	20.9	14
20	60	20	30	4	8	25	26.4	14
25	65	25	38	4	8	25	33.2	11
32	67	32	44.2	5	4	23	42	11
40	75	40	56	5	-	30	47.8	11
50	80	50	67	6	-	40	59.6	11

NUT



mm	a	b	c	d	e	f	g	"
	18	31	21.2	3	4	26.4	14	
20	21	40	26.5	3.5	4	33.2	11	
25	24	49	33.5	4	4	41.9	11	
32	22	53.5	42	5	3	46	11	
40	28	68	48	5	5	59.6	11	
50	40	80	61	8	6	70	11	